



# Workshop table

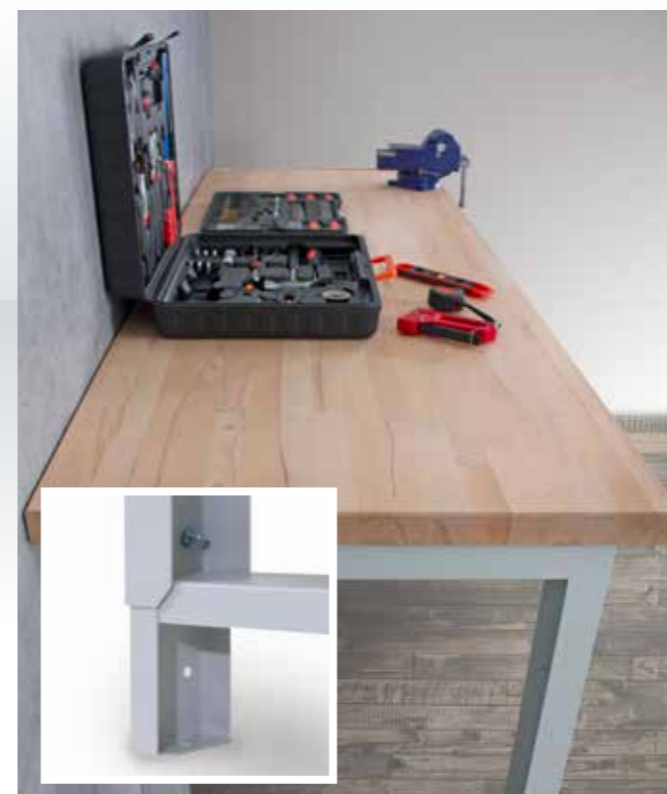
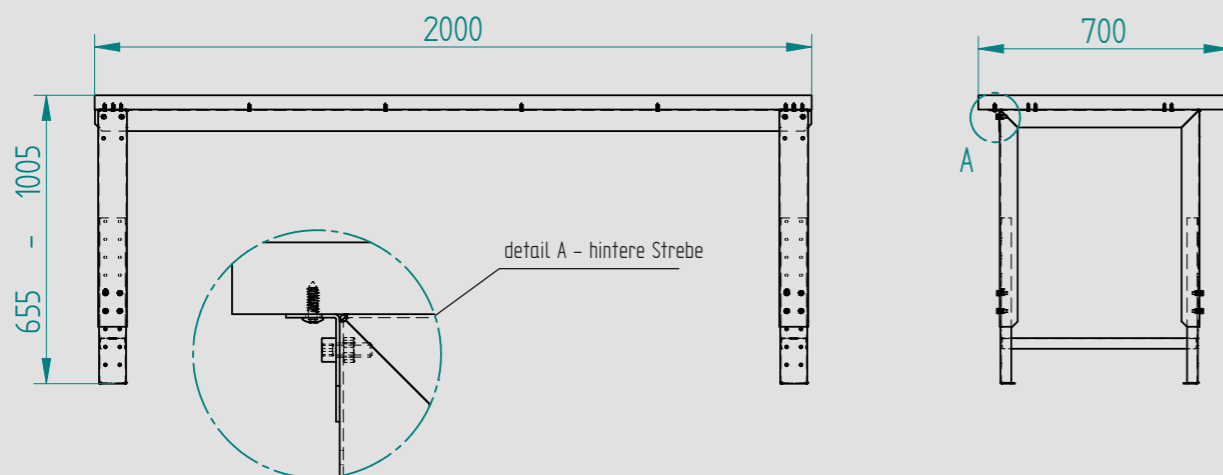


Dimensions	750 mm	1 200 mm	1 500 mm	1 700 mm	2 000 mm
Price	219 €	257 €	280 €	294 €	318 €
Order Code					
RAL7035	CXAT20-0056-05	CXAT20-0056-04	CXAT20-0056-03	CXAT20-0056-02	CXAT20-0056-01
RAL 5005	UXAT20-0056-05	UXAT20-0056-04	UXAT20-0056-03	UXAT20-0056-02	UXAT20-0056-01



**Universal and flexible worktable for workshops, school classrooms, warehouses and garages.**

- Adjustable feet for adjusting the height of the working desk in 50 mm increments from 655 mm up to 1005 mm.



- Supplied table lengths (mm):** 750, 1200, 1500, 1700, 2 000
- Depth for all table lengths (mm):** 700
- Table loading capacity (kg):** 500 at even load
- Workspace:** solid beech battenboard with a thickness of 40 mm, chamfered top edges
- Fixed profiled base:** welded from steel profiles, rear traverse for higher rigidity
- Surface treatment of metal profiles:** powder coating - gray RAL 7035
- Possibility of anchoring the table to the floor**
- The table is delivered disassembled, including mounting material**
- Easy installation**

- Containers with drawers**
- Equipment of the container:** 4 x drawer  
1 x upper drawer - inner height 80 mm  
3 x lower drawer - inner height 130 mm  
telescopic drawers - 100% load capacity of the drawers 45 kg
  - powder-coated surface finish grey/blue, RAL 7035/5005
- Containers with door and shelf**
- Equipment of the container:** 1 x shelf  
magnet door in blue color RAL 5005  
the left / right door opening can easily be changed
  - inner shelf adjustable in 21.5 mm increments, fixed with 4 M5 screws, upper section clearance from 105–190 mm
  - powder-coated surface finish grey RAL 7035

	Order Code	Dimensions	Weight	Color	Price
Workshop table container 4 x drawer	BXAT20-0056-14	570 x 600 x 550 (mm)	40 Kg	black skeleton, black sockets	208 €
Workshop table container 4 x drawer	CXAT20-0056-14		40 Kg	gray skeleton, gray drawers	208 €
Workshop table container - door	CUAT20-0056-20		26 Kg	gray skeleton, blue door	125 €

